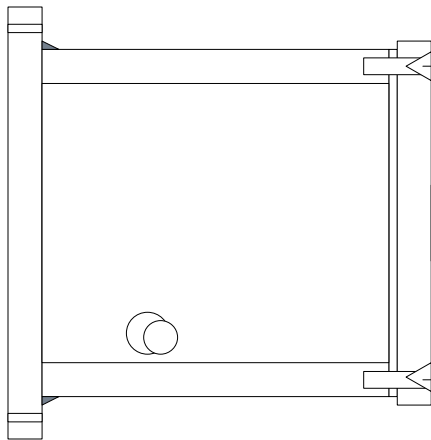
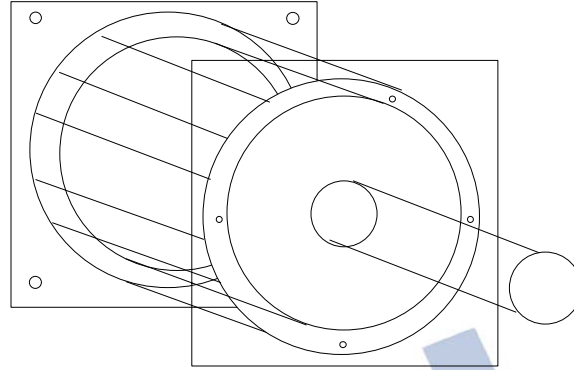


# HDL-1

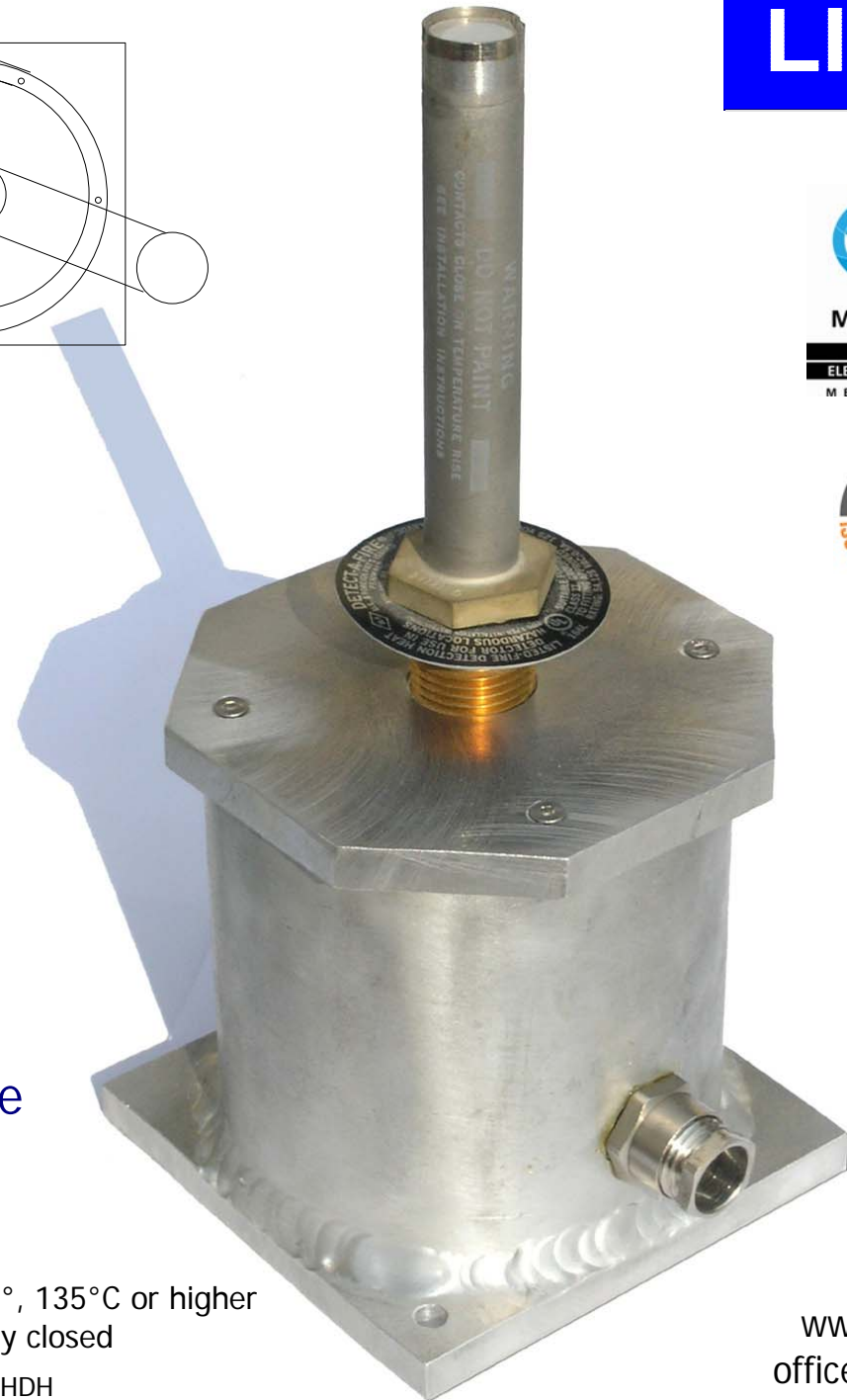
## Heat Detector LICO

- welded , massive Alu-construction
- ready for ATEX-cert Ex-cert
- CE-approved
- 1 or 2 pcs cable outlets std.
- watersafe - IP 65 - IP 67 dep. on cable isolation
- seawatersafe aluminum,
- WIG-welded
- stainless steel screws - A4
- 4x or 6x cable- terminal in Box
- temperature range up to 265°C according to project and if cabelling allowing



### Fenwal DAF - Detect-a-fire of choice

- Body in brass or Stainless-steel
- Temperatures: 60°, 71°, 88°, 107°, 135°C or higher
- Switch: Normally open or normally closed
- Partnumber of housing without Fenwal: HDH
- Partnumber of housing with Fenwal: HDL-1-Fenwal-type



MECHATRONIK

ELEKTRONIK UND  
ELEKTROMASCHINENBAU  
MEISTERBETRIEB



www.lico.hu  
office@lico.hu  
Tel + 36 23 520 113