

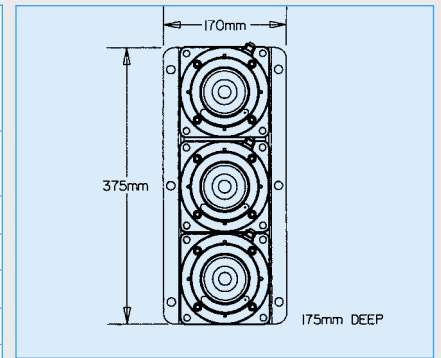
Status Lamps

SM87SL

Xenon, Filament, Fluorescent & LED Status Lamps – Explosionproof



Certification	⊕ ATEX, Ⓛ US, Ⓢ GOST 'R' & 'K', Chinese
Flameproof	ATEX Ex II 2G, EExd IIC T4 (LED/Fil) ATEX Ex II 2G, EExd IIC T6 (Xe/Fil)
Certified Ambient Temperature	-20°C to +55°C (LED/Fil) -55°C to +55°C (Xe/Fil)
Ingress Protection	IP66 & 67
Material	Stainless Steel or Alloy
Entries	Up to 3 x 20mm or 25mm
No. of Ways	Up to 4
Options: Body & lens colour, certification, tag & duty labels.	

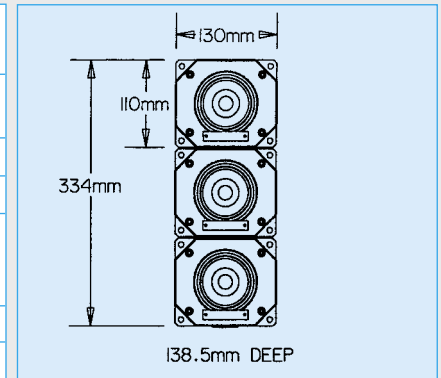


SL5

Xenon, Filament & LED Status Lights – Explosionproof



Certification Increased Safety	⊕ ATEX, Chinese ATEX Ex II 2G, EExe(m) II T3/T4
Certified Ambient Temperature	-40°C to +55°C (Xe/Fil) -40°C to +45°C (LED)
Ingress Protection	IP66 & 67
Material	Corrosion-free GRP
Entries	Up to 2 x 16mm or 20mm or 1 x 25mm or 32mm
No. of Ways	Up to 5
Options: Body & lens colour, certification, tag & duty labels.	

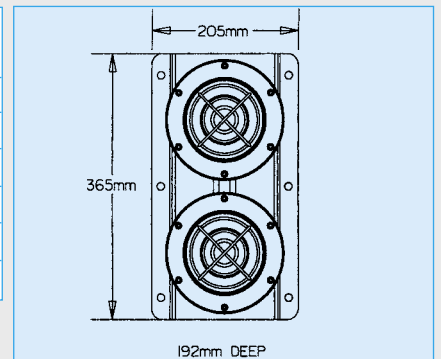


XB11SL

Xenon, Filament & Fluorescent Status Lamps – Explosionproof



Certification Flameproof	⊕ ATEX, Ⓛ US ATEX Ex II 2GD, EExd IIB T5/T6
Certified Ambient Temperature	-55°C to +70°C
Ingress Protection	IP66 & 67
Material	Corrosion-free GRP
Entries	1 x 20mm
No. of Ways	Up to 5
Options: Body & lens colour, certification, tag & duty labels.	



Status Lamps can also be configured using the high intensity XB4 range.

Download data sheets from www.mess-regeltechnik.at

Status Lamps

XB12 SL Xenon, Filament & Fluorescent Status Lamp – Explosionproof



Certification	ATEX c _{us} ATEX Ex II 2G, EExd IIB T4/T5
Flameproof	
Certified Ambient Temperature	-55°C to +70°C
Ingress Protection	IP66 & 67
Material	Corrosion-free GRP
Entries	1 x 20mm
No. of Ways	Up to 5
Options: Body & lens colour, certification, tag & duty labels.	

