

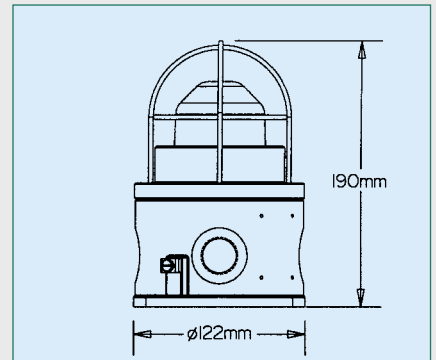
Beacons/Strobes

SM87 HXB

5 Joule Flashing Xenon – Explosionproof



Certification	⊕ ATEX ⊕ UL ⊕ GOST 'R' & 'K', Chinese
Flameproof	ATEX Ex II 2GD, EExd(e) IIC T6
Certified Ambient Temperature	-55°C to +70°C (EExd)
Ingress Protection	IP66 & 67
Material	Stainless Steel or Alloy
Entries	Up to 4 x 20mm or 25mm
Weight	3.8kg (Steel) or 2kg (Alloy)
Options: Body & lens colour, EOL resistor, tel. & relay initiate, certification, lens guard, tag & duty labels, flash rate, high temp. version (-40°C to +85°C) available, voltages 24-48V d.c., 110-254V a.c.	



Standard models. Available ex-stock.

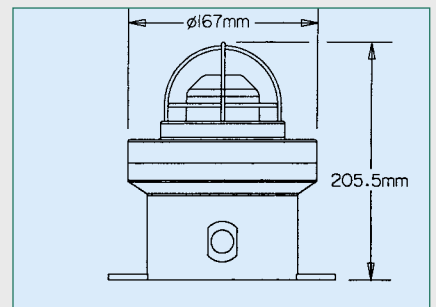
Certification	Voltage	Lens Colour	Ordering Code	Standard Product Configuration
ATEX Ex II 2G	24V d.c.	Red	813005	Standard models are in alloy, red body, no tag or duty labels, 2 x M20 entries, 60 flashes per minute.
ATEX Ex II 2G	24V d.c.	Amber	813006	
ATEX Ex II 2G	240V a.c.	Red	813007	
ATEX Ex II 2G	240V a.c.	Amber	813008	

XB11

5 Joule Flashing Xenon – Explosionproof



Certification	⊕ ATEX ⊕ UL ⊕ Chinese, SAA
Flameproof	ATEX Ex II 2GD, EExd IIB T4, T5 & T6
Certified Ambient Temperature	-55°C to +70°C
Ingress Protection	IP66 & 67
Material	Corrosion-free GRP
Entries	2 x 20mm
Weight	2.5kg
Options: Body & lens colour, mounting, tel. initiate, certification, lens guard, flash rate, earth continuity, voltages 24V d.c., 110V a.c., 240V a.c.	

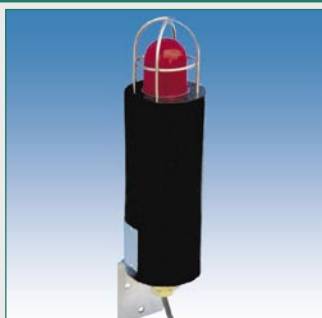


Standard models. Available ex-stock.

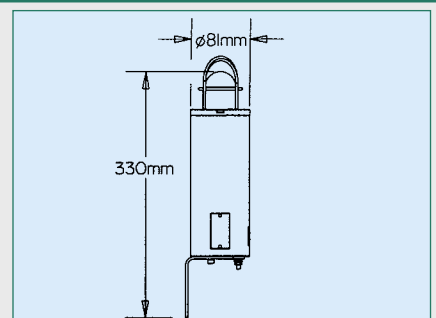
Certification	Voltage	Lens Colour	Ordering Code	Standard Product Configuration
ATEX Ex II 2GD	24V d.c.	Red	811101	Standard models are in GRP, natural black body, no tag or duty labels, 2 x M20 entries, 60 flashes per minute.
ATEX Ex II 2GD	24V d.c.	Amber	811102	
ATEX Ex II 2GD	240V a.c.	Red	811103	
ATEX Ex II 2GD	240V a.c.	Amber	811104	

XB9

5 Joule Flashing Xenon – Explosionproof



Certification	⊕ ATEX
Flameproof	ATEX Ex II 2G, EExd IIC T5/T6
Certified Ambient Temperature	-55°C to +55°C
Ingress Protection	IP66 & 67
Material	Corrosion-free GRP
Entries	1 x 20mm or PG13.5
Weight	1.6kg
Options: Body & lens colour, tag & duty labels, lens guard, voltages, flash rate, 24-48V d.c., 110-254V a.c.	



Standard models. Available ex-stock.

Certification	Voltage	Lens Colour	Ordering Code	Standard Product Configuration
ATEX Ex II 2G	24V d.c.	Red	819105	Standard model has natural black body, no tag or duty labels, 60 flashes per minute, lens guard, 3m cable & tail.
ATEX Ex II 2G	24V d.c.	Amber	819106	
ATEX Ex II 2G	240V a.c.	Red	819107	
ATEX Ex II 2G	240V a.c.	Amber	819108	

Download data at www.mess-regeltechnik.at

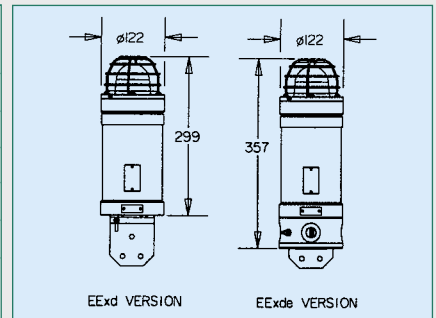
Beacons/Strobes

XB10

10 & 15 Joule Flashing Xenon – Explosionproof & Weatherproof



Certification	Ⓔ ATEX, GOST 'R'
Flameproof	ATEX Ex II 2G, EExd(e) IIB T4
Certified Ambient Temperature	-55°C to +55°C
Ingress Protection	IP66 & 67
Material	Corrosion-free GRP
Entries	Up to 3 x 20mm or 2 x PG13.5
Weight	2.8-3.6kg
Options: Body & lens colour, tel. initiate, earth continuity, flash rate, terminal chamber, voltages 24-48V d.c., 110-254V a.c.	



Standard models. Available ex-stock.

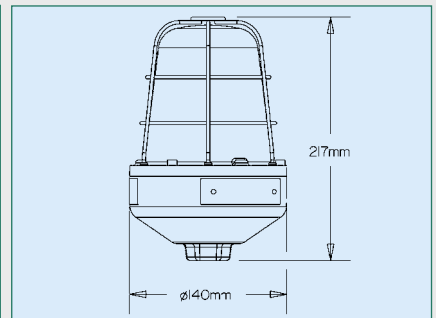
Certification	Voltage	Lens Colour	Ordering Code	Standard Product Configuration
ATEX Ex II 2G	24V d.c.	Red	811050	Standard models are in natural black, 15 Joules, lens guard, no tag or duty labels, 2 x M20 entries, 60 flashes per minute.
ATEX Ex II 2G	24V d.c.	Amber	811051	
ATEX Ex II 2G	240V a.c.	Red	811052	
ATEX Ex II 2G	240V a.c.	Amber	811053	

XB16

10 Joule Flashing Xenon – UL Hazardous & Ordinary Locations



Certification	UL US UL 1971 compliant
Hazardous Locations	Class I, Div 2, Groups A-D
Certified Ambient Temperature	-55°C to +70°C
Ingress Protection	IP66 & 67
Material	Corrosion-free GRP
Entries	1 x 1/2" NPT
Weight	1kg
Options: Body & lens colour, lens guard, tag & duty labels, relay initiate, flash rate, voltages 12-48V d.c., 110-254V a.c.	

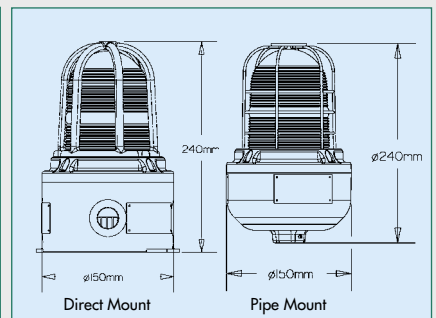


XB15

15 Joule Flashing Xenon – Explosionproof



Certification	Ⓔ ATEX cUL US
Flameproof	ATEX Ex II 2GD, EExd IIC T5/T6
Certified Ambient Temperature	-55°C to +70°C
Ingress Protection	IP66 & 67
Material	Corrosion-free GRP
Entries	Up to 3 x 20mm or 3 x 25mm
Weight	2.6-3.6kg
Options: Body & lens colour, relay & telephone initiate, flash rate, voltages 12-48V d.c., 110-254V a.c.	

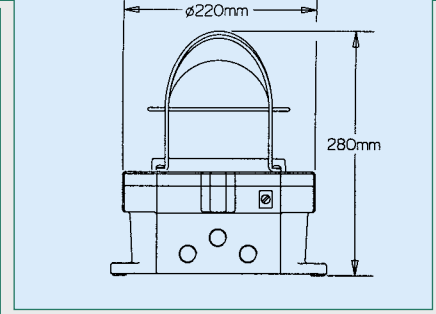


XB4

21 Joule Flashing Xenon – Explosionproof



Certification	Ⓔ ATEX cUL US GOST 'R' SAA
Flameproof	ATEX Ex II 2G, EExd(e) IIC T5
Certified Ambient Temperature	-55°C to +70°C
Ingress Protection	IP66 & 67
Material	Stainless Steel or Alloy
Entries	Up to 4 x 20mm or 25mm
Weight	15-16kg (Steel), 6.6-7.4kg (Alloy)
Options: Body & lens colour, lens guard, tag & duty labels, terminals, terminal chamber, initiation options, flash rate, voltages 24-48V d.c., 110-254V a.c.	



Standard models. Available ex-stock.

Certification	Voltage	Lens Colour	Ordering Code	Standard Product Configuration
ATEX Ex II 2G	24V d.c.	Red	814001	Standard model are red painted, alloy, no lens guard, 2 x M20 entries.
ATEX Ex II 2G	240V a.c.	Red	814002	

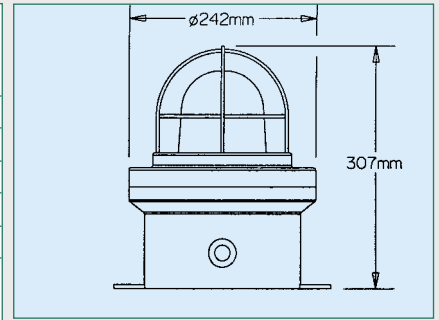
Beacons/Strobes

XB12

21 Joule Flashing Xenon – Explosionproof



Certification	Ⓔ ATEX Ⓛ GOST 'K', Chinese
Flameproof	ATEX Ex II 2G, EExd IIB T4/T5
Certified Ambient Temperature	-55°C to +70°C
Ingress Protection	IP66 & 67
Material	Corrosion-free GRP
Entries	2 x 20mm
Weight	7.0kg
Options: Body & lens colour, lens guard, tag & duty labels, telephone initiation, flash rate, mounting method, earth continuity, voltages 24V d.c., 110-240V a.c.	



Standard models. Available ex-stock.

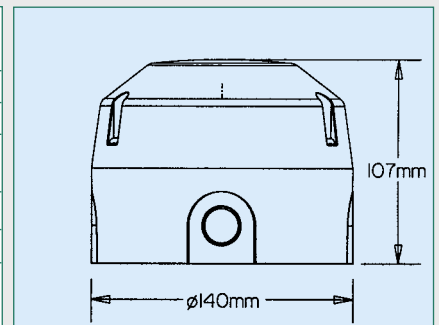
Certification	Voltage	Lens Colour	Ordering Code	Standard Product Configuration
ATEX EX II 2GD	24V d.c.	Red	812101	Standard models are in natural black GRP, no lens guard, 2 x 20mm entries, 60 flashes per minute.
ATEX EX II 2GD	24V d.c.	Amber	812102	
ATEX EX II 2GD	240V a.c.	Red	812103	
ATEX EX II 2GD	240V a.c.	Amber	812104	

XB8

0.5 Joule Flashing Xenon – Explosionproof



Certification	Ⓔ ATEX GOST 'R'
Intrinsically Safe	ATEX Ex II 1G, EExia IIB/IIC T4
Certified Ambient Temperature	-55°C to +60°C
Ingress Protection	IP66 & 67
Material	Corrosion-free GRP body Polycarbonate lens
Entries	Up to 3 x 20mm via knockouts
Weight	1.4kg
Options: Body & lens colour, certification, tag & duty labels, voltages 12-24V d.c.	



Standard models. Available ex-stock.

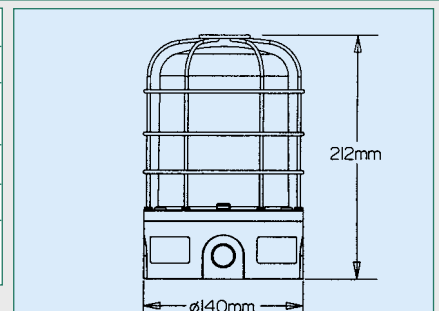
Certification	Voltage	Lens Colour	Ordering Code	Standard Product Configuration
ATEX Ex II 1G	24V d.c.	Clear	818002	Standard models have natural red body colour, no tag or duty labels, 60 flashes per minute.

XB13

10 Joule Flashing Xenon – Weatherproof & Heavy Duty



Operating Temperature	-55°C to +70°C
Ingress Protection	IP66 & 67
Material	Corrosion-free GRP body Polycarbonate lens
Entries	Up to 3 x 20mm via knockouts
Weight	1.1kg
Options: Body & lens colour, tag & duty labels, lens guard, telephone & relay initiate, single & dual flash mode, voltages 12-24V d.c., 115-230V a.c.	



Standard models. Available ex-stock.

Voltage	Lens Colour	Ordering Code	Standard Product Configuration
24V d.c.	Red	813101	Standard models are in natural red body colour, no tag or duty labels, no lens guard, 3 x 20mm entries via knockouts, 60 flashes per minute (single flash mode), dual & single flash modes.
24V d.c.	Amber	813102	
230V a.c.	Red	813103	

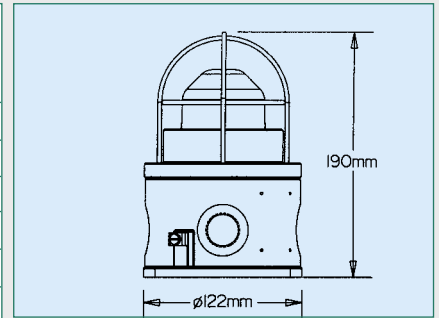
Beacons/Strobes

SM87
LU1/LU3

10 Watt Steady Filament/Fluorescent Explosionproof



Certification	Ⓔ ATEX Ⓛ UL US Ⓜ GOST 'R', Chinese
Flameproof	ATEX Ex II 2GD, EExd(e) IIC T4/T6
Certified Ambient Temperature	-55°C to +55°C (model dependent)
Ingress Protection	IP66 & 67
Material	Stainless Steel or Alloy
Entries	Up to 3 x 20mm or 25mm
Weight	2.5 - 3.8kg
Options: Body & lens colour, lens guard, tag & duty labels, terminal chamber, voltages 24-48V d.c., 110-254V a.c.	

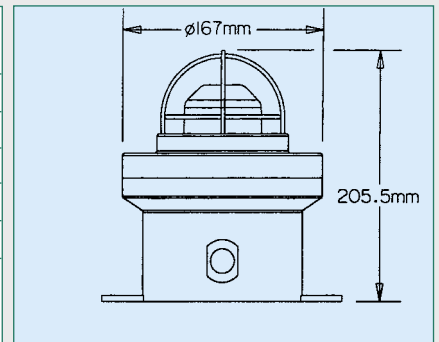


FB11 & FL11

10 Watt Steady Filament & Fluorescent Explosionproof



Certification	Ⓔ ATEX Ⓛ UL US
Flameproof	ATEX Ex II 2GD, EExd IIB T4/T5
Certified Ambient Temperature	-55°C to +55°C
Ingress Protection	IP66 & 67
Material	Corrosion-free GRP
Entries	2 x 20mm
Weight	2.8kg
Options: Body & lens colour, lens guard, tag & duty labels, lamp wattage, unit fixing, earth continuity, mounting method, voltages 24-48V d.c., 110-254V a.c.	

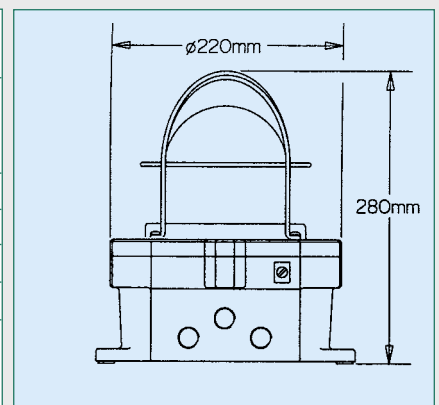


FB4 & FL4

100 Watt Steady Filament & 39 Watt Fluorescent Explosionproof



Certification	Ⓔ ATEX Ⓛ UL US GOST 'R'
Flameproof	ATEX Ex II 2G, EExd(e) IIC T3/T6
Certified Ambient Temperature	-55°C to +55°C (FB4 EExd) -50°C to +55°C (FB4 EExde) -20°C to +55°C (FL4)
Ingress Protection	IP66 & 67
Material	Stainless Steel or Alloy
Entries	Up to 4 x 20mm or 25mm
Weight	14.9-17.3kg (Steel), 6.5 - 8.9kg (Alloy)
Options: Body & lens colour, lens guard, tag & duty labels, lamp wattage, relay initiate, terminals, terminal chamber, voltages 24-48V d.c., 110-240V a.c.	



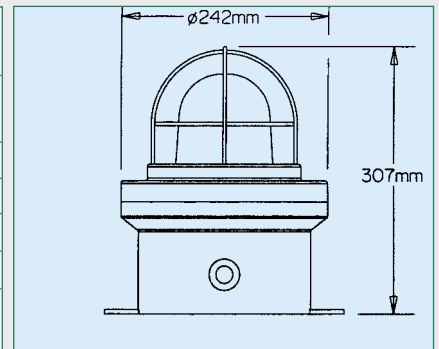
Beacons/Strobes

**FB12 &
FL12**

**100 Watt Steady Filament & 39 Watt Fluorescent
Explosionproof**



Certification Flameproof	ATEX cUL _{us} ATEX Ex II 2G, EExd IIB T4/T5
Certified Ambient Temperature	-55°C to +55°C (FB12) -20°C to +55°C (FL12)
Ingress Protection	IP66 & 67
Material	Corrosion-free GRP
Entries	2 x 20mm
Weight	7.2 - 7.6kg
Options: Body & lens colour, lens guard, tag & duty labels, lamp wattage, unit fixing, earth continuity, mounting method, voltages 24-48V d.c., 110-254V a.c.	

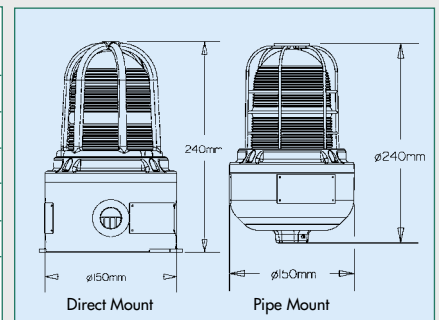


FB15

60 Watt/100 Watt Steady Filament – Explosionproof

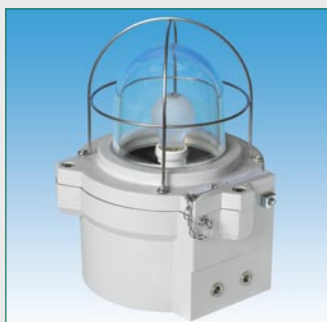


Certification Flameproof	ATEX cUL _{us} ATEX Ex II 2GD, AExd IIC T3/T4
Certified Ambient Temperature	-55°C to +70°C
Ingress Protection	IP66 & 67
Material	Corrosion-free GRP
Entries	2 x 20mm
Weight	2.6 - 3kg
Options: Body & lens colour, lens guard, tag & duty labels, lamp wattage, unit fixing, mounting method, voltages 24-48V d.c., 110-254V a.c.	

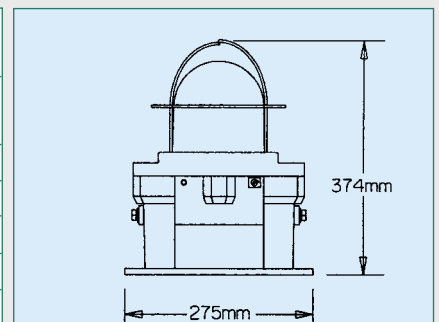


**FB5 &
FL5**

**200 Watt Steady Filament & 52 Watt Steady Fluorescent
Explosionproof**



Certification Flameproof	ATEX ATEX Ex II 2G, EExd(e) IIB T3/T4
Certified Ambient Temperature	-20°C to +30°C (FB5) -20°C to +50°C (FL5)
Ingress Protection	IP66, 67 & 68
Material	Stainless Steel or Alloy
Entries	Up to 4 x 20mm or 25mm
Weight	11.6 - 14.3kg
Options: Body colour, lens guard, mounting method, voltages 220-254V a.c.	



Beacons/Strobes

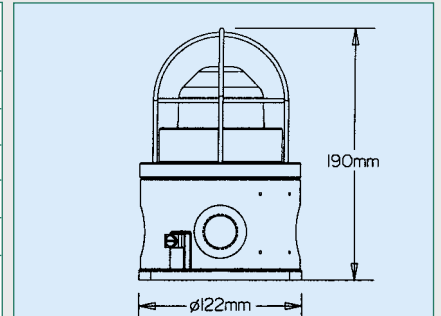
SM87 LED

Up to 192 Cd Steady or Flashing LED (Selectable)

Explosionproof



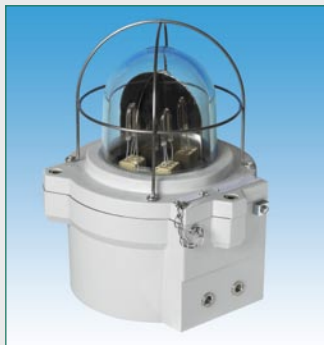
Certification Flameproof	⊕ ATEX ATEX Ex II 2GD, EExd(e) IIC T6
Certified Ambient Temperature	-20°C to +40°C
Ingress Protection	IP66 & 67
Material	Stainless Steel or Alloy
Entries	Up to 3 x 20mm or 25mm
Weight	2.5 - 4.5kg
Options: Body & lens colour, lens guard, tel & relay initiate, EOL resistor, terminal chamber, voltages 24-48V d.c..	



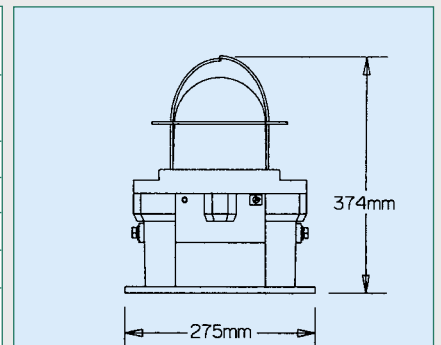
XB5 & TH5

5 Joule Sequenced & 70 Watt Rotating

Explosionproof



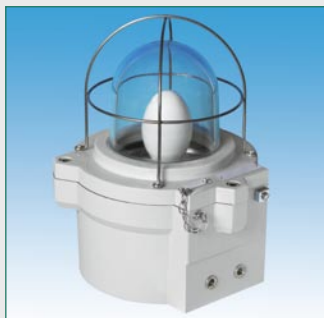
Certification Flameproof	⊕ ATEX ATEX Ex II 2G, EExd(e) IIB T4/T6
Certified Ambient Temperature	-20°C to +55°C (TH5) -20°C to +40°C (XB5)
Ingress Protection	IP66, 67 & 68
Material	Alloy
Entries	Up to 4 x 20mm or 25mm
Weight	14.6 - 15.9kg
Options: Body & lens colour, lens guard, tag label, terminal chamber, rotational speed, voltages 12-4110V d.c., 110-254V a.c.	



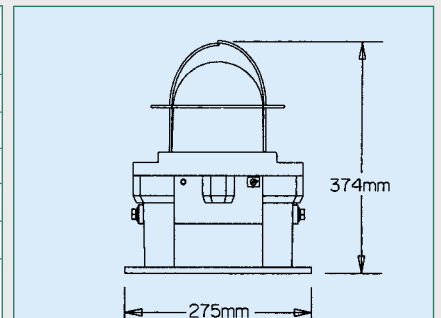
HS5 & MF5

70 Watt Sodium/80 Watt Mercury Fluorescent

Explosionproof



Certification Flameproof	⊕ ATEX, ⊕ (HS5 only) ATEX Ex II 2G, EExd(e) IIB T3/T4
Certified Ambient Temperature	-20°C to +40°C
Ingress Protection	IP66, 67 & 68
Material	Stainless Steel or Alloy
Entries	Up to 4 x 20mm or 25mm
Weight	12.9 - 14.0kg
Options: Body colour, lens guard, tag label, terminal chamber, mounting method, voltages 220-254V a.c.	



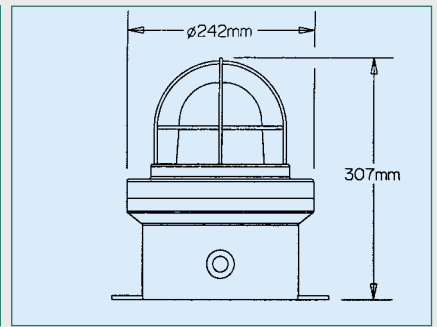
Beacons/Strobes

TH12

55 Watt/70 Watt Rotating Beacon – Explosionproof



Certification	ATEX
Flameproof	ATEX Ex II 2G, EExd IIB T4/T5
Certified Ambient Temperature	-55°C to +70°C
Ingress Protection	IP66 & 67
Material	Corrosion-free GRP
Entries	2 x 20mm
Weight	7.6kg
Options: Body & lens colour, lens guard, tag & duty labels, flash rate, mounting method, earth continuity, voltages 24V d.c. 110-240V a.c.	

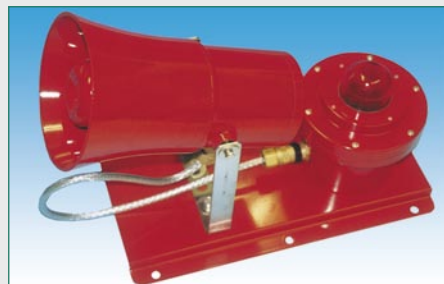


Standard models. Available ex-stock.

Certification	Voltage	Lens Colour	Ordering Code	Standard Product Configuration
ATEX Ex II 2G	24V d.c.	Red	815010	Standard model is in natural black GRP, no lens guard, 2 x 20mm entries, 60 flashes per minute.

Beacon/Sounder Combination Units

– Explosionproof & Heavy Duty Industrial & Marine



Note: Examples only – actual arrangements may vary (contact sales office)

A range of combination units that can be constructed from MEDC sounders, beacons and other equipment.

For more information, request data sheet 6DS104.

