

Speakers

DB10

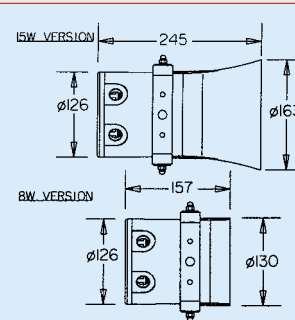
8 & 15 Watt Speaker – Explosionproof



15 Watt*

*8 Watt version has short flare.

Certification	ATEX, GOST 'R' & 'K', Chinese
Flameproof & Increased Safety	ATEX Ex II 2G, EExde IIB & H2
Certified Ambient Temperature	-55°C to +70°C
Ingress Protection	IP66 & 67
Material	Corrosion-free GRP
Output	104 dBA at 1W 1 metre 114 dBA at 15W at 1 metre
Entries	Up to 2 x 20mm
Weight	3.2kg (model dependent)
Tappings @ 15 Watts	15, 7.5, 5, 4, 2, 0.8
Options: Body colour, tag & duty labels, transformer voltage	



Standard models. Available ex-stock.

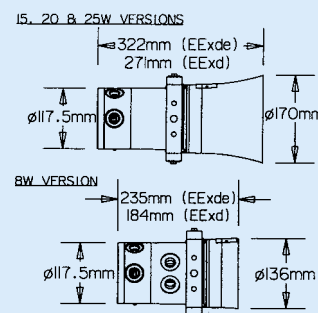
Certification	Power	Ordering Code	Standard Product Configuration
ATEX Ex II 2G	15 Watts	807915	Standard model has 100V line transformer, natural black GRP body, 2 x 20mm entries, fitted with one certified plug, integral E-chamber, earth continuity.
ATEX Ex II 2G	8 Watts	807908	

DB4

8 - 25 Watt Speaker – Explosionproof



Certification	ATEX, GOST 'R' & 'K', SAA
Flameproof	ATEX Ex II 2GD, EExd(e) IIC T4/T5
Certified Ambient Temperature	-20°C to +70°C (standard) -55°C to +70°C (low temp unit)
Ingress Protection	IP66 & 67
Material	Corrosion-free GRP
Output	107 dBA at 1W at 1 metre 119 dBA at 25W at 1 metre
Entries	Up to 2 x 20mm
Weight	6kg
Tappings @ 25 watts	25, 12.5, 6, 4, 2, 1
Options: Power (8W, 15W, 20W, 25W), body colour, tag & duty labels, BS5839, part 8 compliance, certification, terminal chamber, transformer voltage	



Standard models. Available ex-stock.

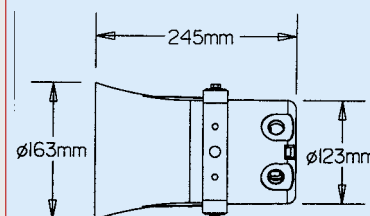
Certification	Power	Ordering Code	Standard Product Configuration
ATEX EX II 2GD	15 Watts	804215	Standard model has natural black finish, no labels, 2 x 20mm entries, fitted with one certified plug & 100V line transformer.
ATEX EX II 2GD	25 Watts	804225	

DB18

15 Watt Speaker – Explosionproof (Zone 2)



Compliance	ATEX
Non-sparking (Zone 2)	ATEX Ex II 3GD, EEx nA II T4
Compliant Ambient Temperature	-55°C to +55°C
Ingress Protection	IP66 & 67
Material	Corrosion-free GRP
Output	107 dBA at 1W at 1 metre 117 dBA at 15W at 1 metre
Entries	2 x 20mm
Weight	2.6kg
Tappings @ 15 Watts	15, 7.5, 5, 4, 2, 0.8
Options: Body colour, tag & duty labels, transformer voltage	



Standard models. Available ex-stock.

Certification	Ordering Code	Standard Product Configuration
ATEX Ex II 3GD	808401	Standard model has natural black finish, no labels, 2 x 20mm entries, 100V line transformer.

Download data at www.mess-regeltechnik.at

Speakers

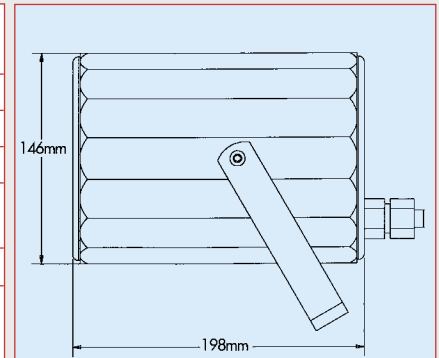
DB19

15 Watt Projector Speaker – Explosionproof (Zone 2)



Compliance	⊕ ATEX
Non-sparking (Zone 2)	ATEX Ex II 3GD, EEx nA II T4
Compliant Ambient Temperature	-55°C to +55°C
Ingress Protection	IP54
Material	Aluminium body
Output	92 dBA at 1W at 1 metre 104 dBA at 15W at 1 metre
Tappings	15, 7.5, 4, 2.7, 1.3, 0.8

Options: Body colour & transformer voltage



Standard models. Available ex-stock.

Certification	Ordering Code	Standard Product Configuration
ATEX Ex II 3GD	808501	Standard model has white finish to RAL 9010, no labels, cable tail, 100V line transformer.

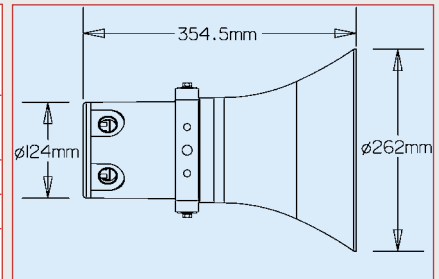
DB16

25 and 30 Watt Speaker – Explosionproof



Certification	⊕ ATEX ⊕ UL ⊕ GOST 'K'
	ATEX Ex II 2G, EExde IIB T3 ATEX Ex II 2GD, EExde IIC T110°C
Certified Ambient Temperature	-50°C to +65°C (25W) -50°C to +40°C (30W)
Ingress Protection	IP66 & 67
Material	Corrosion-free GRP
Output	IIB version 1W/1m is 110dBA 25W/1m is 121dBA 30W/1m is 122dBA IIC version 3dBA less than IIB versions
Entries	Up to 2 x 20mm or 2 x 25mm
Weight	5.5kg
Tappings @ 30 Watts	30, 25, 12, 6, 4, 2

Options: Body colour, 30W or 25W, transformer, tag & duty labels.



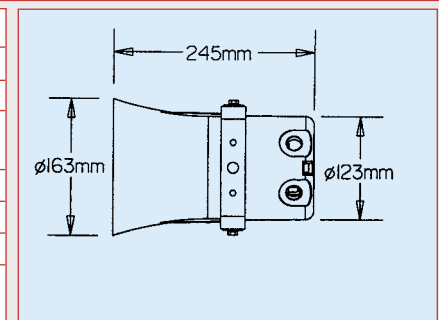
DB14

15 Watt Speaker – Weatherproof & Heavy Duty



Ambient Operating Temperature	-55°C to +70°C
Ingress Protection	IP66 & 67
Material	Corrosion-free GRP
Output	107 dBA at 1W at 1 metre 117 dBA at 15W at 1 metre
Entries	2 x 20mm
Weight	2.6kg
Tappings	15, 7.5, 5, 4, 2, 0.8

Options: Body colour, tag & duty labels, transformer voltage, BS 5839, part 8 compliance, earth continuity



Standard models. Available ex-stock.

Ordering Code	Standard Product Configuration
808010	Standard model has 100V line transformer, natural grey GRP body to RAL 7035, 2 x 20mm entries, no labels.

Speakers



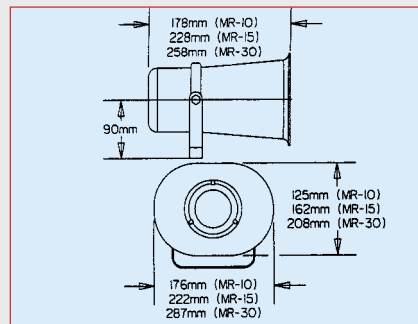
Loudspeakers for Industry, Leisure & Commerce

MR Range

10, 15 & 30 Watt Horn Speaker – Weatherproof



Operating Temperature	-20°C to +60°C
Ingress Protection	IP66
Material	ABS Plastic
Output	105-110 dBA at 1W at 1 metre
Entries	Gland & flying lead
Weight	1.1-1.6kg
Tappings	(30, 15), 10, 5, 3, 1
Options: BS5839, part 8 compliance, 8 ohm version (MR10 & MR15 only)	



Standard models. Available ex-stock.

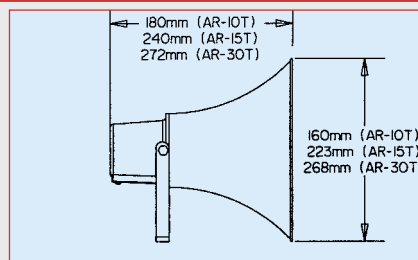
Ordering Code	Power	Standard Product Configuration
MR 10T	10 Watts	Standard models have 100V line transformer, stainless steel bracket, 1 x 20mm entries, gland & multicore 500mm flying lead, no labels.
MR 15T	15 Watts	
MR 30T	30 Watts	

AR Range

10, 15 & 30 Watt Horn Speaker – Weatherproof



Operating Temperature	-20°C to +60°C
Ingress Protection	IP66
Material	Aluminium
Output	106-109 dBA at 1W at 1 metre
Entries	1 x 16mm
Weight	1.0-2.2kg
Tappings	30-2.0 (model dependent)



Standard models. Available ex-stock.

Ordering Code	Power	Standard Product Configuration
AR 10T	10 Watts	Standard models have 100V line transformer, stainless steel bracket, 1 x 16mm entry (AR 10 comes with flying lead), no labels.
AR 15T	15 Watts	
AR 30T	30 Watts	

Download data at www.mess-regeltechnik.at

Speakers

NEXT™
TWO
Loudspeakers



Loudspeakers for Industry, Leisure & Commerce

Ceiling Speakers



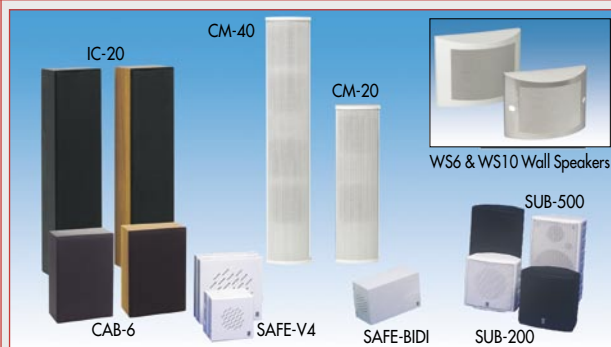
A range of ceiling speakers for use in VA/PA and background music systems. Versions include BS5839, part 8 compliant, weatherproof, coaxial and dual driver, 100V line or 8 ohm.

Spheres & Projectors



A range of spheres & projectors for use in VA/PA and background music systems. Versions include BS5839, part 8 compliant & weatherproof, 100V line or 8 ohm.

Cabinets & Columns



A range of cabinets & columns for use in VA/PA and background music systems. Options include anti-vandal, coaxial, bi-directional units, 100V line or 8 ohm.