

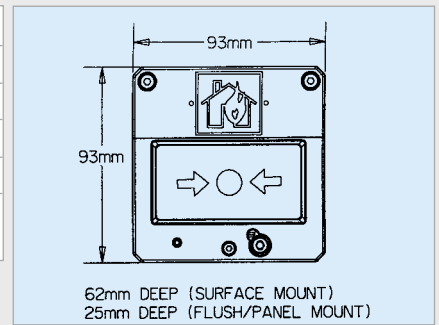
Heavy Duty, Industrial & Marine

BG3W

Break Glass Call Point – Weatherproof & Heavy Duty



Operating Temperature	-55°C to +55°C
Ingress Protection	IP66 & 67
Material	Corrosion-free GRP
Entries	2 x 20mm
Weight	0.5kg
Options: Body colour, LED, lift flap, series & EOL resistors, flush mounting, tag & duty labels.	



Standard model. Available ex-stock.

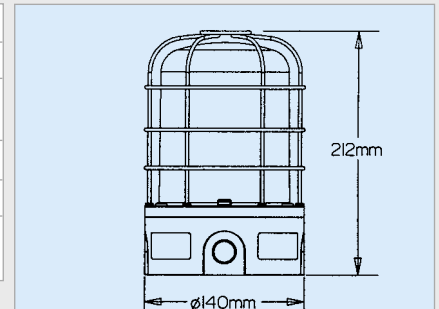
Ordering Code	Standard Product Configuration
800006	Standard models are surface mount version, have 2 x 20mm bottom entries, natural red GRP, single switch glass label 'Fire Break Glass Press Here', duty label 'Burning House'

XB13

10 Joule Flashing Xenon – Weatherproof & Heavy Duty



Operating Temperature	-55°C to +70°C
Ingress Protection	IP66 & 67
Material	Corrosion-free GRP body
Polycarbonate lens	
Entries	Up to 3 x 20mm via knockouts
Weight	1.1 kg
Options: Body & lens colour, tag & duty labels, lens guard, telephone & relay initiate, single & dual flash mode, voltages 12-24V d.c., 115-230V a.c.	



Standard models. Available ex-stock.

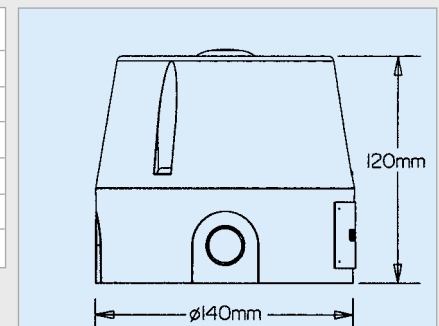
Voltage	Lens Colour	Ordering Code	Standard Product Configuration
24V d.c.	Red	813101	Standard models are in natural red body colour, no tag or duty labels, no lens guard, 3 x 20mm entries via knockouts, 60 flashes per minute (single flash mode), dual & single flash modes.
24V d.c.	Amber	813102	
230V a.c.	Red	813103	

DB12

110dB(A) Sounder – Weatherproof & Heavy Duty



Operating Temperature	-55°C to +70°C
Ingress Protection	IP66 & 67
Material	Corrosion-free GRP
Entries	Up to 3 x 20mm via knockouts
Weight	1 kg
No. of Tones	27 + 5 programmable
Options: Body colour, tag & duty labels, voltages 12V & 24V d.c.	



Standard models. Available ex-stock.

Voltage	Alarm Type	Ordering Code	Standard Product Configuration
24V d.c.	Two Stage	808001	Standard model has 27 tones, natural red body colour, no tag or duty labels, 3 x 20mm entries via knockouts.
115/230V a.c.	Single Stage	808003	

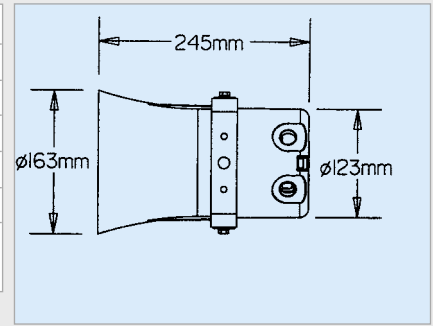
Heavy Duty, Industrial & Marine

DB15

117dB(A) Sounder – Weatherproof & Heavy Duty



Operating Temperature	-55°C to +70°C
Ingress Protection	IP66 & 67
Material	Corrosion-free GRP
Entries	2 x 20mm
Weight	2.6kg
No. of Tones	27 + 5 programmable
Options: Body colour, tag & duty labels, two stage alarm (DB15P) version, earth continuity, EOL resistor, voltages 12-48V d.c., 110-254V a.c.	



Standard models. Available ex-stock.

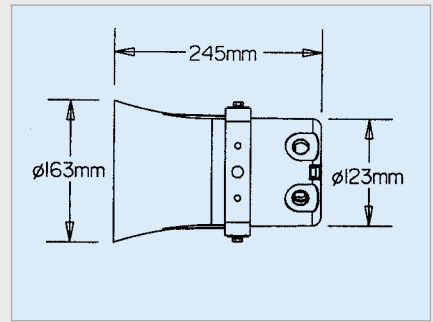
Voltage	Body Colour	Alarm Type	Ordering Code	Standard Product Configuration
24-48V d.c.	Natural Grey to RAL 7035	Two stage	808110	Standard model has 27 tones, 2 x 20mm entries.
24-48V d.c.	Red	Two stage	808115	
240V a.c.	Natural Grey to RAL 7035	Single stage	808120	
240V a.c.	Red	Single stage	808125	

DB14

15 Watt Speaker – Weatherproof & Heavy Duty



Ambient Operating Temperature	-55°C to +70°C
Ingress Protection	IP66 & 67
Material	Corrosion-free GRP
Output	107 dBA at 1W at 1 metre 117 dBA at 15W at 1 metre
Entries	2 x 20mm
Weight	2.6kg
Tappings	15, 7.5, 5, 4, 2, 0.8
Options: Body colour, tag & duty labels, transformer voltage, BS 5839, part 8 compliance, earth continuity	



Standard models. Available ex-stock.

Ordering Code	Standard Product Configuration
808010	Standard model has 100V line transformer, natural grey GRP body to RAL 7035, 2 x 20mm entries, no labels.

Beacon/Sounder Combination Units

Weatherproof & Heavy Duty



A range of combination units that can be constructed from MEDC sounders, beacons and other equipment.

For more information, download from www.medic.com, request data sheet 6DS104 or contact the sales office.

