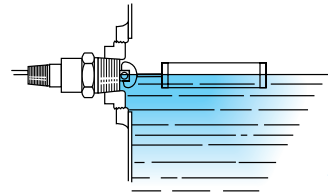


Large Size – Alloys

Side Mounting Switches Solve the Problem of Inaccessible Tank Tops & Bottoms

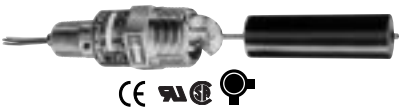
These units solve the problem of point level sensing in tanks with inaccessible tops or bottoms, or at intermediate locations in larger tanks. Operation is positive and dependable. The float pivots with changing liquid level, displacing a shuttle which magnetically actuates a hermetically sealed switch within the unit. Installation is through the tank side at the detection point.

Typical Installation



Now
UL Approved
Explosion-Proof

LS-2050 Series – Brass and Buna N



LS-2050 Series – All-Stainless Steel



LS-52100 Series – All Stainless Steel

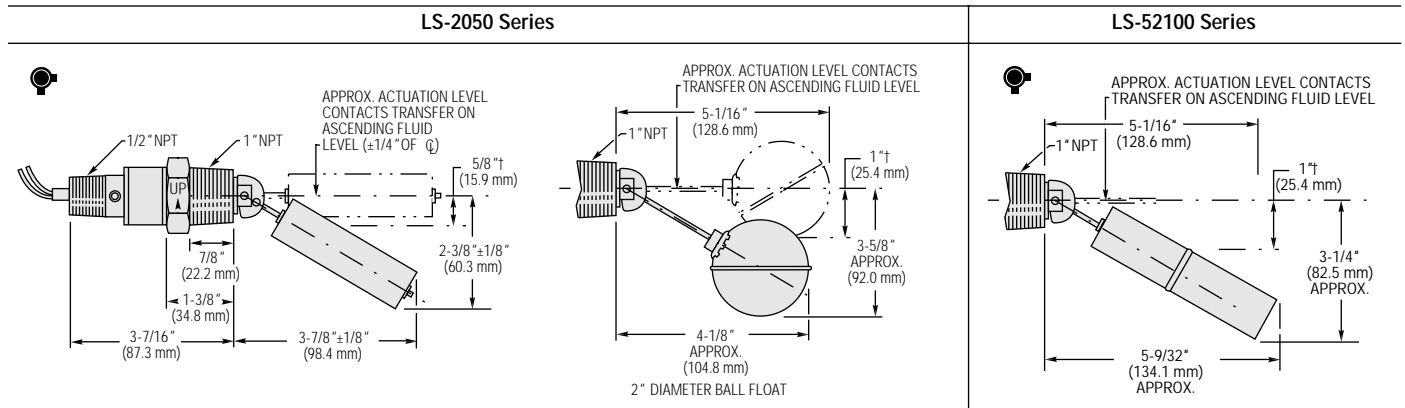


General purpose materials designed to provide reliable service in oils and water.

Ultimate strength: for pressures to 900 PSIG and temperatures to 300°F. Explosion-proof models available.

Rugged, all-stainless steel unit offers broad chemical compatibility at temperatures to 300°F. Explosion-proof models available.

Dimensions



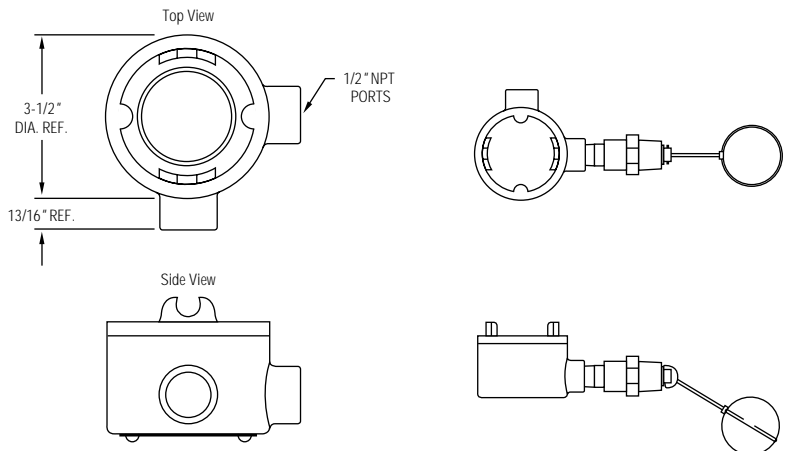
†Approximate de-actuation level, nominal (based on a liquid specific gravity of 1.0).

* Switch Mounting dimensions are the same as shown on the LS-2050 Series drawing (far left).

Explosion-Proof Versions

CSA or FM Approved versions are available in all-stainless steel configurations only.

Typical Example (P/N 55690 Shown):



For Remote Alarms – See Page K-10

- Adjustable Volume
- Indoor Outdoor
- Solid-State



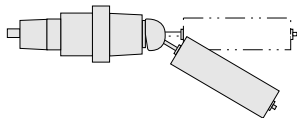
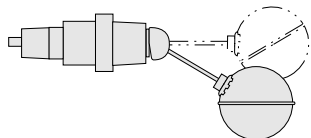
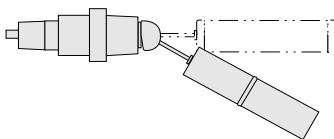
Common Specifications

Electrical Termination: No.18 AWG, 24" L., Polymeric Lead Wires.

Approvals: LS-2050 Series Switches are U.L. Recognized – File No. E45168 and are CSA Listed. Explosion-proof units are approved for Class I, Division 1, Group D hazardous areas.

Mounting Attitude: Horizontal, ±15°.

Performance

| | LS-2050 Series | | LS-52100 Series | |
|-------------------------------|---|--|---|-----|
| | Brass Mounting/Buna-N Float | All-Stainless Steel | | |
| |  |  |  | |
| Operating Temperature | Water: to +180°F (82.2°C) Oil: -40° to +250°F (-40°C to +121°C) | | -40°F to +300°F (-40°C to +148.9°C) | |
| Pressure, PSIG Max. @ 70°F | 150 | | 900 | 500 |
| Min. Liquid Sp. Gr. | .8 | | .9 | .85 |
| Switch Differential in Liquid | 1/2" Minimum | | Approximately 3/4" | |

How To Order – Select Part Number based on specifications required.

| Series Number | Materials | | | Switch* | Part Numbers | | | |
|---------------|---------------------|---------------------|---|----------------------|-------------------|--------------|--------------------------|------------|
| | Stem and Mounting | Float | Other Wetted | | Standard Versions | With Bellows | Explosion-Proof Versions | |
| | | | | | | | FM Approved | CSA Listed |
| LS-2050 | Brass | Buna N | 316 Stainless Steel, Beryllium Copper, Teflon®, Ceramic | SPDT, 20 VA | 30288 ⚡ | - | - | - |
| | 316 Stainless Steel | 316 Stainless Steel | Stainless Steel, Teflon®, Ceramic | SPDT, 20 VA | 30290 ⚡ | 175650 | 55690 | 140436 |
| | | | | SPST, 100 VA, N.O.** | 48068 | - | - | - |
| | | | | SPST, 100 VA, N.C.** | 48069 | - | - | - |
| LS-52100 | 316 Stainless Steel | 304 Stainless Steel | 430 Stainless Steel, Teflon®, Ceramic | SPDT, 20 VA | 52100 ⚡ | - | 121753 | 140447 |
| | | | | SPST, 100 VA, N.O.** | 116971 ⚡ | - | - | - |
| | | | | SPST, 100 VA, N.C.** | 116972 | - | - | - |

* See "Electrical Data" on Page A-4 for more information.

**100 VA switches are not U.L. Recognized or CSA Approved.

⚡ – Stock Items.

With Optional Bellows

Seals moving parts from debris and particulates that might impede shuttle movement. Available for all-stainless steel LS-2050.

P/N: 175650 (switch with bellows)
Bellows are not sold separately.

