

ULS-10 Series – Single Point

Tip Gap Probe and Explosion Proof Enclosure Provide Excellent Performance at a Moderate Cost

- ▶ 10 Amp Relay Output
- ▶ 115/230 VAC 12 VDC or 24 VDC Input
- ▶ Temperatures to 200°F (93.3°C)
- ▶ Lengths to 99 inches (251.5 cm)

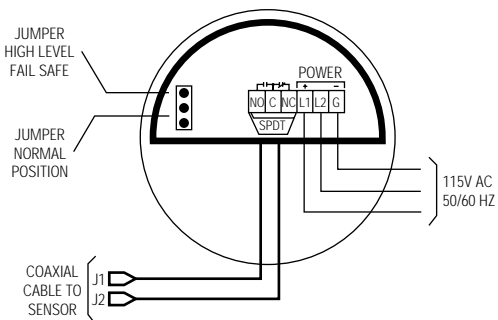
The ULS-10 Series features a Tip Gap probe design for closer tank bottom access, along with 10 amp, SPDT relay for direct operation of significant loads. The miniaturized, encapsulated electronic control unit may be supplied for remote mounting, or directly mounted on sensor in an explosion proof, NEMA enclosure. FM-Approved, explosion proof enclosures are also available.

Specifications

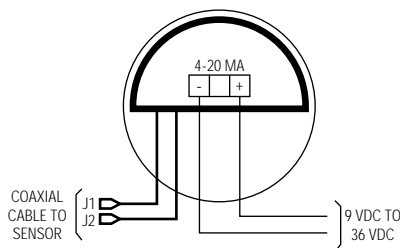
Input Power	115/230 VAC, 50/60 Hz; or 12/24 VDC
Gain	300:1
Output	10 Amp DPDT Relay, or 2-Wire, 4mA-Dry, 20mA-Wet (9-36 VDC)
Delay (On)	0.5 Seconds
Repeatability	2mm, Typical
Housing	NEMA 4/NEMA 7 Watertight, Explosion Proof Enclosure, Epoxy Coated Cast Aluminum Class I, Group C & D; Class II, Group E, F, & G; and Class III, Division 1 & 2.
Operating Temperature	
Sensor	-40°F to +200°F (-40°C to 93.3°C)
Electronics	-20°F to +170°F (-28.9°C to 76.7°C)
Pressure, PSIG, Max.	1000

Wiring Diagram

SPDT



4-20mA



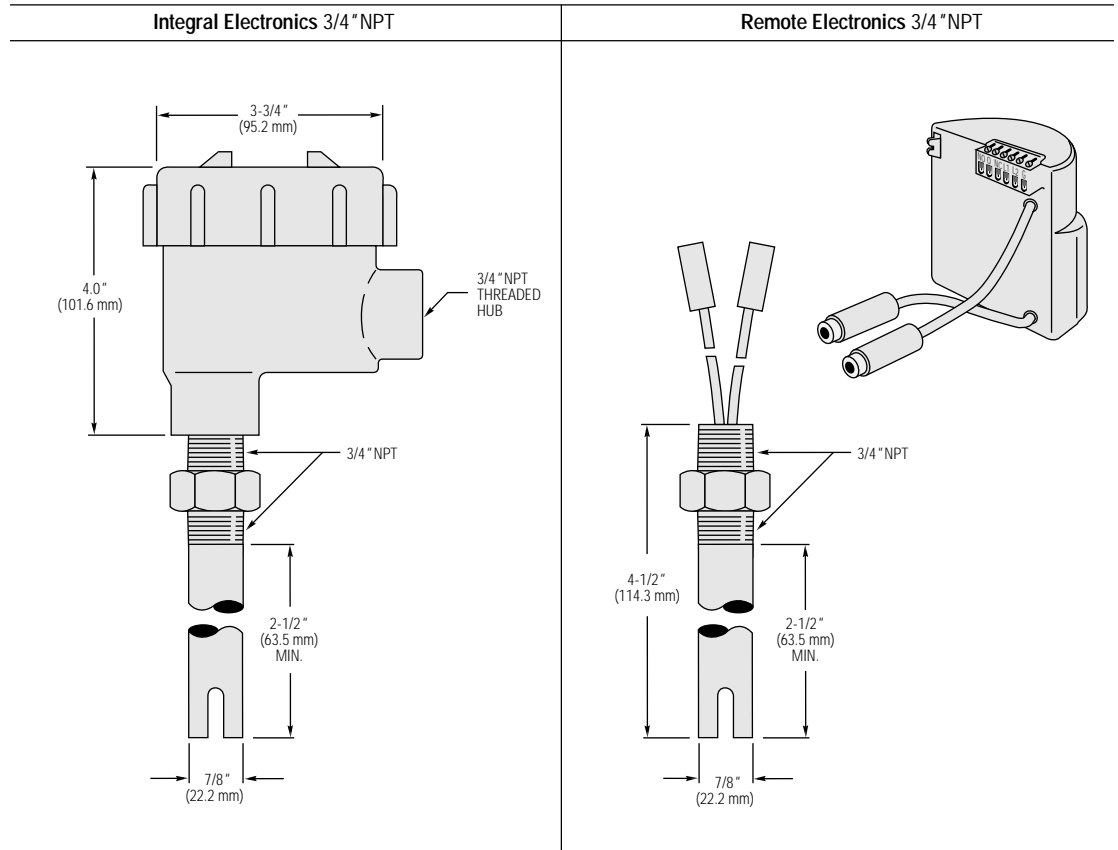
Note:
 For 24 VDC or 12 VDC Models
 Connect Positive (+) to L1-Terminal
 Connect GND (-) to G - Terminal

ORDER IT!
 Ordering is Easy! See Instructions on Page E-2.



LEVEL SWITCHES

1. Mounting Type*

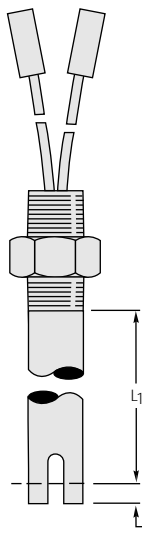


Mounting and Sensor Materials

316 Stainless Steel (Standard); Consult Factory For Other Materials.

*Flanges also available; consult factory for sizes and materials.

2. Actuation Level Dimensions



Switch actuation level (L_1) is determined following the guidelines below.

$L_1 = 2-1/4"$ (57.2 mm)
 Minimum
 99" (251.5 cm)
 Maximum*

*Consult factory for longer lengths.